

NO.	DATE	DESCRIPTION
1	11/09/17	First Submittal
1	fp	Subj. BY

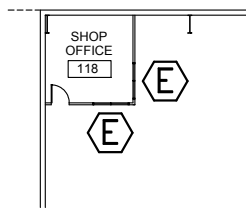
WINDOW MANUFACTURER
 ADDRESS CITY, STATE ZIP
 WORK PHONE WORK FAX

PROJECT: **TEAM-FERMANITE NEW FACILITY**
 ARCHITECT: **LUDDEKE ARCHITECTURAL DESIGN GROUP**
 GENERAL CONTRACTOR: **NAME OF GENERAL CONTRACTOR**
 PHONE #

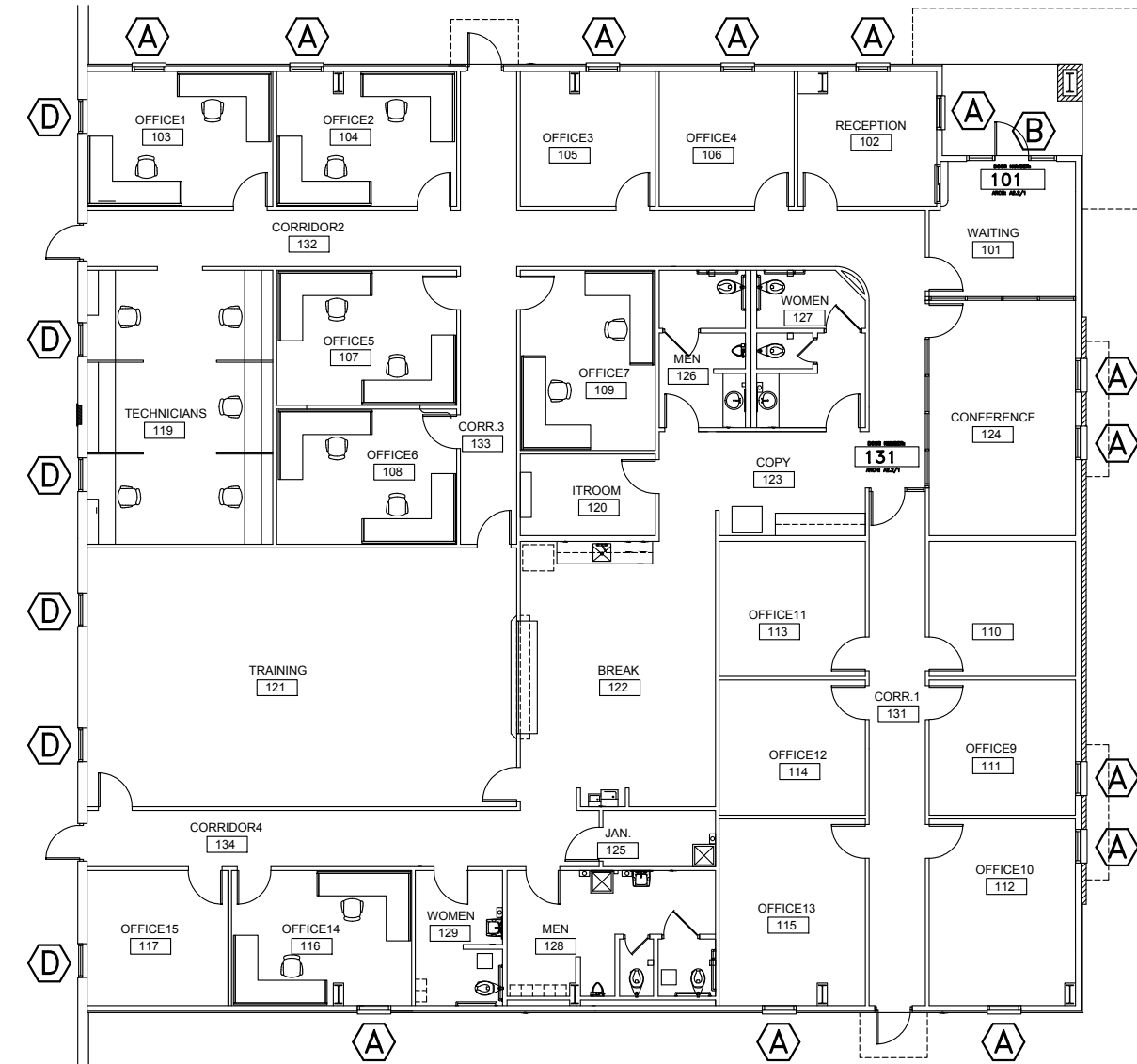
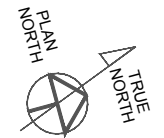
PROJECT NO. **TF-1710-02**
 DRAWN BY **fp** DATE **11/09/17**
 SCALE **1/16" = 1'-0"**
 DRAWING **XXX FLOOR PLAN**
 SHEET **P1**

FLOOR PLAN
 SCALE: 1/16" = 1'-0"
 ARCH. REF.: A2.2/1
 A2.2/2

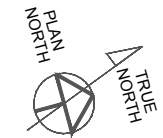
1st OFFICE AREAS
 ALUMINUM WINDOW SYSTEMS LAYOUT






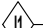

KEY PLAN

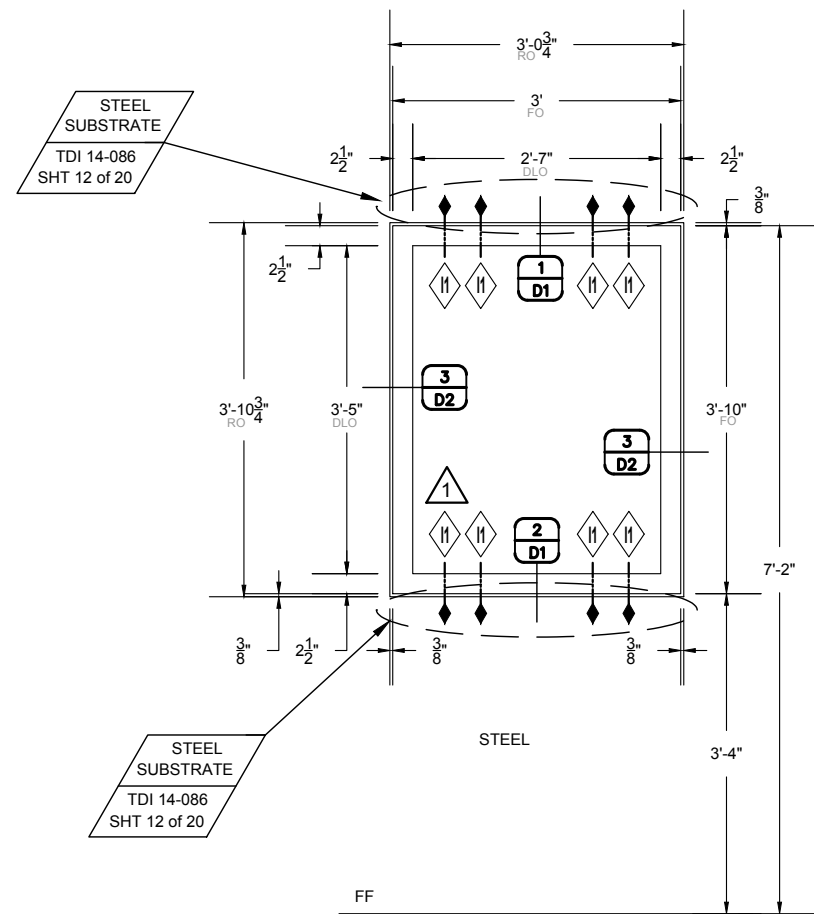


KEY PLAN



FASTENER-TYPE LEGEND

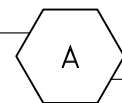
-  [TDI #14-075, Pg 22 of 26] 3/8" DIA. F.H. POWERS FASTENERS TAPPER SCREW ANCHOR W/ 2" MIN EMBEDMENT INTO POURED CONCRETE (MIN. F'C = 3 KSI), W/ 4 1/2" MIN. EDGE DISTANCE, BEYOND ANY FINISH MATERIAL
-  [TDI #14-075, Pg 23 of 26] 3/8" DIA. H.H. TYPE "F" BOLT W/ 3/4" MIN. EDGE DISTANCE, BEHOND ANY FINISH MATERIAL. BOLT TO BE MIN. FULLY ENGAGED INTO PROFILE THICKNESS.
-  [TDI #14-086, Pg 12 of 20] 3/8" DIA. POWER FASTENERS TAPPER ANCHOR W/ 1 3/4" MIN. EMBEDMENT INTO POURED CONCRETE (MIN. fc = 3 ksi)
-  [TDI #14-086, Pg 12 of 20] 3/8" DIA. TYPE "F" BOLT OR 3/8" DIA. -13 SAE GRADE 5 GALVANIZED STEEL. HHB THRU BOLT W/ NUT & LOCK WASHER & 2" MIN. EDGE DISTANCE TO 12 GAGE (0.108" MIN. THK.) Fy = 33 ksi STEEL.
-  [TDI #14-075, Pg 22 of 26] 3/8" DIA. F.H. POWERS FASTENERS TAPPER SCREW ANCHOR W/ 1 3/4" MIN. EMBEDMENT INTO POURED CONCRETE (MIN. F'C = 3 KSI), W/ 6" MIN. EDGE DISTANCE, BEYOND ANY FINISH MATERIAL



ELEVATION

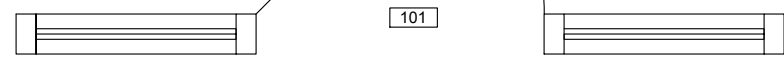
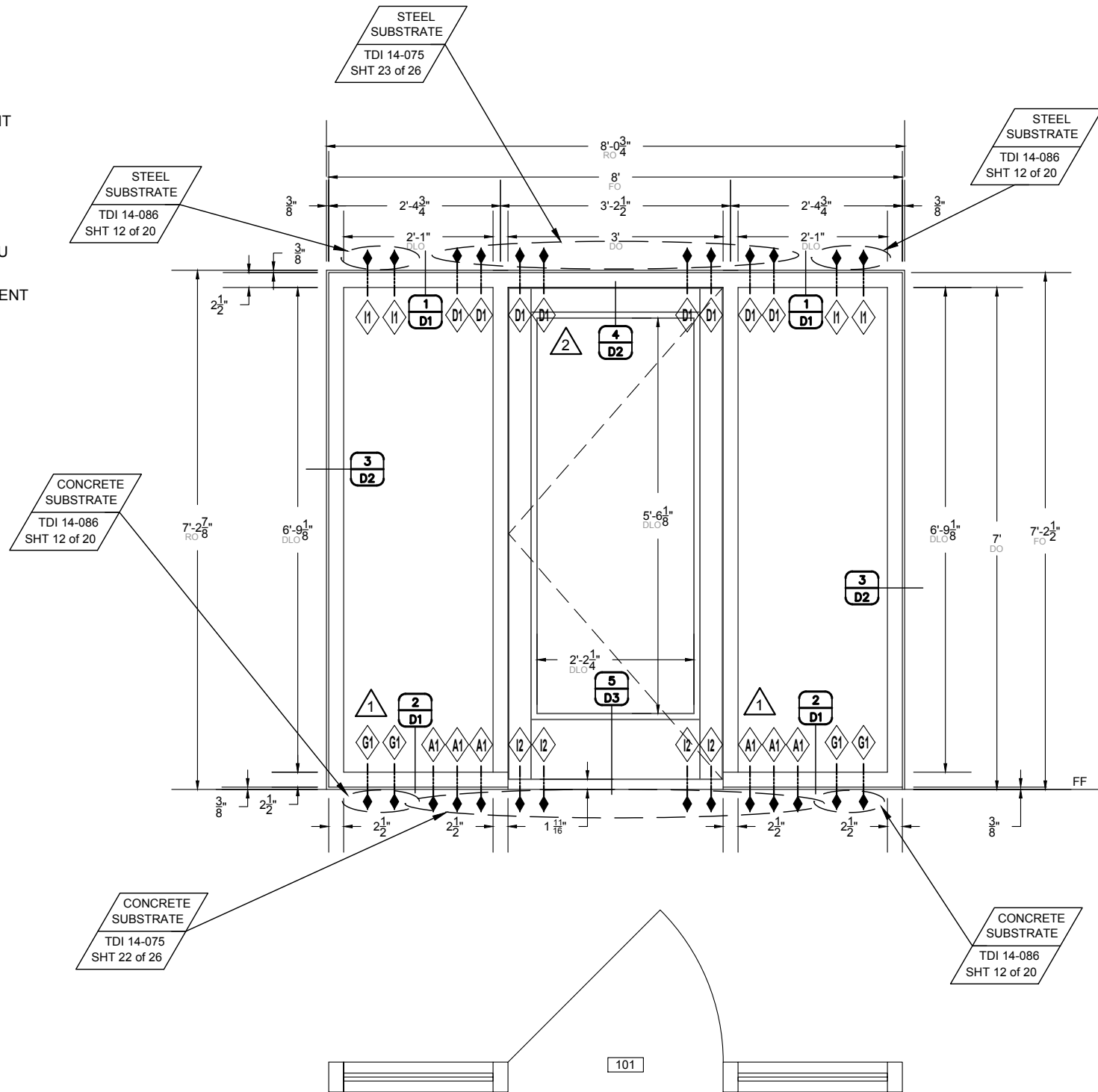
QUANTITY: 13
SCALE: 1/2" = 1'-0"
ARCH. REF.: A2.2/1
A6.1/A

DOOR NUMBER(S): NA



OPENING SIZE:
ROUGH: 3'-0 3/4" X 3'-10 3/4"
FRAME: 3'-0" X 3'-10"

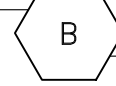
SYSTEM(S): OLD CASTLE BUILDING ENVELOPE
FLUSH GLAZE FG-5100 STORMAX
2 1/2"x5" DRY GLAZED STOREFRONT



ELEVATION

QUANTITY: 1
SCALE: 1/2" = 1'-0"
ARCH. REF.: A2.2/1
A6.1/B

DOOR NUMBER(S): 101



OPENING SIZE:
ROUGH: 8'-0 3/4" X 7'-2 7/8"
FRAME: 8'-0" X 7'-2 1/2"

SYSTEM(S): OLD CASTLE BUILDING ENVELOPE
FLUSH GLAZE FG-5100 STORMAX & WSD-500 ENTRANCE
2 1/2"x5" DRY GLAZED STOREFRONT

NO.	DATE	DESCRIPTION
1	11/09/17	First Submittal
1	fp	SUB BY

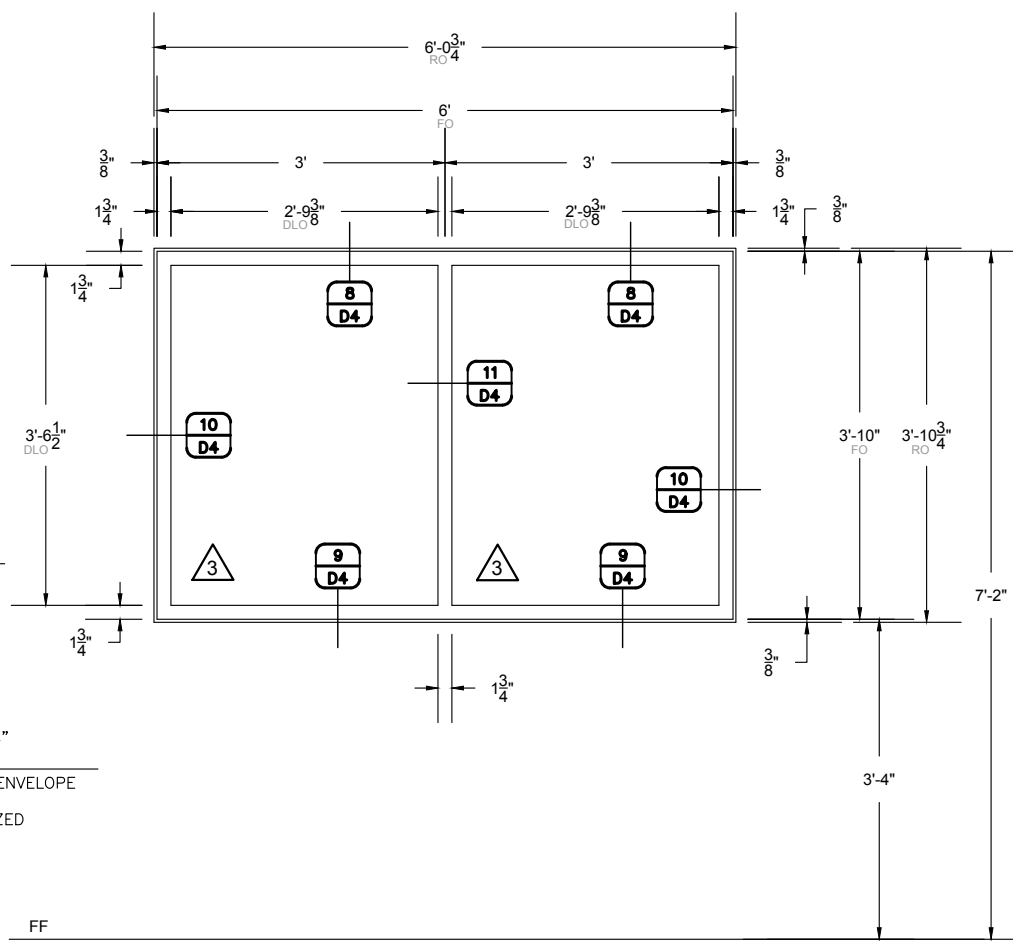
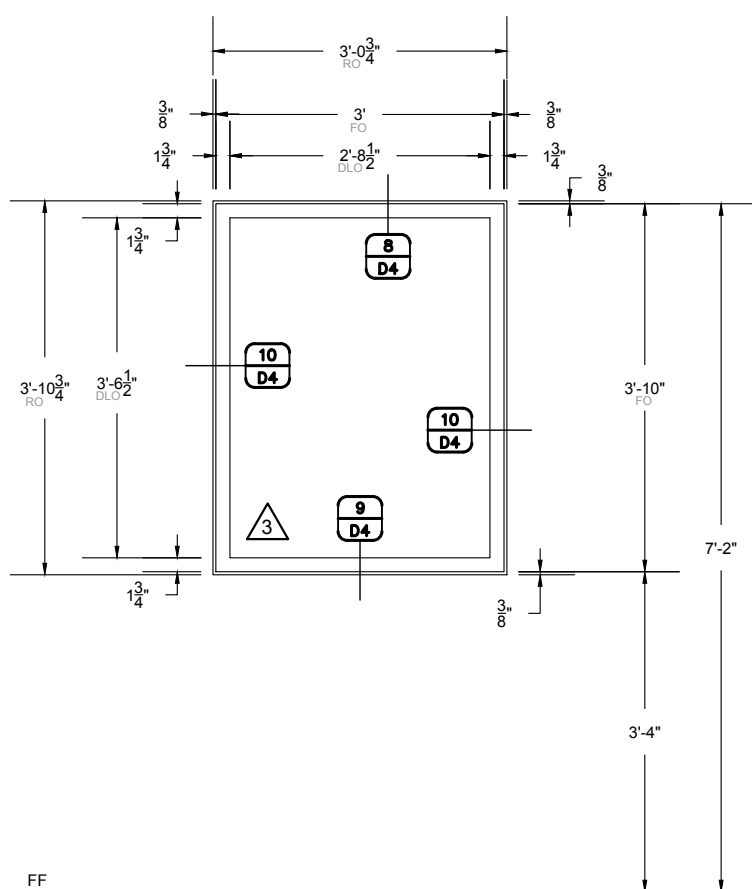
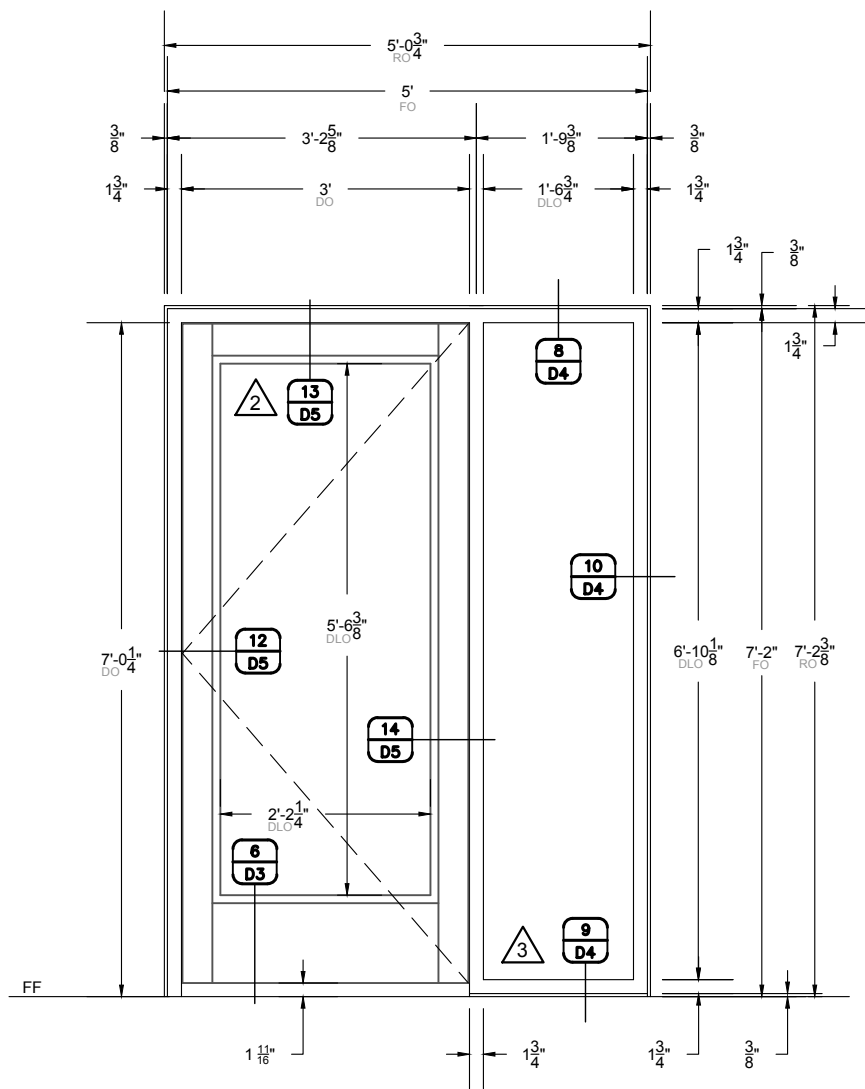
WINDOW MANUFACTURER

ADDRESS CITY, STATE ZIP
WORK PHONE WORK FAX

PROJECT: TEAM-FERMANITE
NEW FACILITY
ARCHITECT: LUDDEKE ARCHITECTURAL DESIGN GROUP
(3610 867-7628)
GENERAL CONTRACTOR: NAME OF GENERAL CONTRACTOR
PHONE #

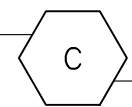
PROJECT NO.: TF-1710-02
DRAWN BY: fp DATE: 11/09/17
SCALE: 1/2" = 1'-0"
DRAWING: ELEVATIONS
SHEET: E1

PROJECT	DATE	DESCRIPTION
1	11/09/17	First Submittal
1	fp	SUB BY



ELEVATION

QUANTITY: 1
 SCALE: 1/2" = 1'-0"
 ARCH. REF.: A2.2/1
 A6.1/C

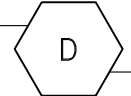


OPENING SIZE:
 ROUGH: 5'-0 3/4" X 7'-2 3/8"
 FRAME: 5'-0" X 7'-2"
 SYSTEM(S): OLD CASTLE BUILDING ENVELOPE
 FLUSH GLAZE FG-1000 & WSD-500 ENTRANCE
 1 3/4" X 4" DRY GLAZED STOREFRONT

DOOR NUMBER(S): 131

ELEVATION

QUANTITY: 6
 SCALE: 1/2" = 1'-0"
 ARCH. REF.: A2.2/1
 A6.1/D

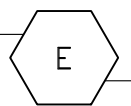


OPENING SIZE:
 ROUGH: 3'-0 3/4" X 3'-10 3/4"
 FRAME: 3'-0" X 3'-10"
 SYSTEM(S): OLD CASTLE BUILDING ENVELOPE
 FLUSH GLAZE FG-1000
 1 3/4" X 4" DRY GLAZED

DOOR NUMBER(S): NA

ELEVATION

QUANTITY: 2
 SCALE: 1/2" = 1'-0"
 ARCH. REF.: A2.2/2
 A6.1/E



OPENING SIZE:
 ROUGH: 6'-0 3/4" X 3'-10 3/4"
 FRAME: 6'-0" X 3'-10"
 SYSTEM(S): OLD CASTLE BUILDING ENVELOPE
 FLUSH GLAZE FG-1000
 1 3/4" X 4" DRY GLAZED

DOOR NUMBER(S): NA

WINDOW MANUFACTURER
 ADDRESS CITY, STATE ZIP
 WORK PHONE WORK FAX

PROJECT: TEAM-FERMANITE
NEW FACILITY
 ARCHITECT: LUDDEKE ARCHITECTURAL DESIGN GROUP
 (3610 867-7628)
 GENERAL CONTRACTOR: NAME OF GENERAL CONTRACTOR
 PHONE #

PROJECT NO. TF-1710-02

DRAWN BY: fp DATE: 11/09/17

SCALE: 1/2" = 1'-0"

DRAWING: ELEVATIONS

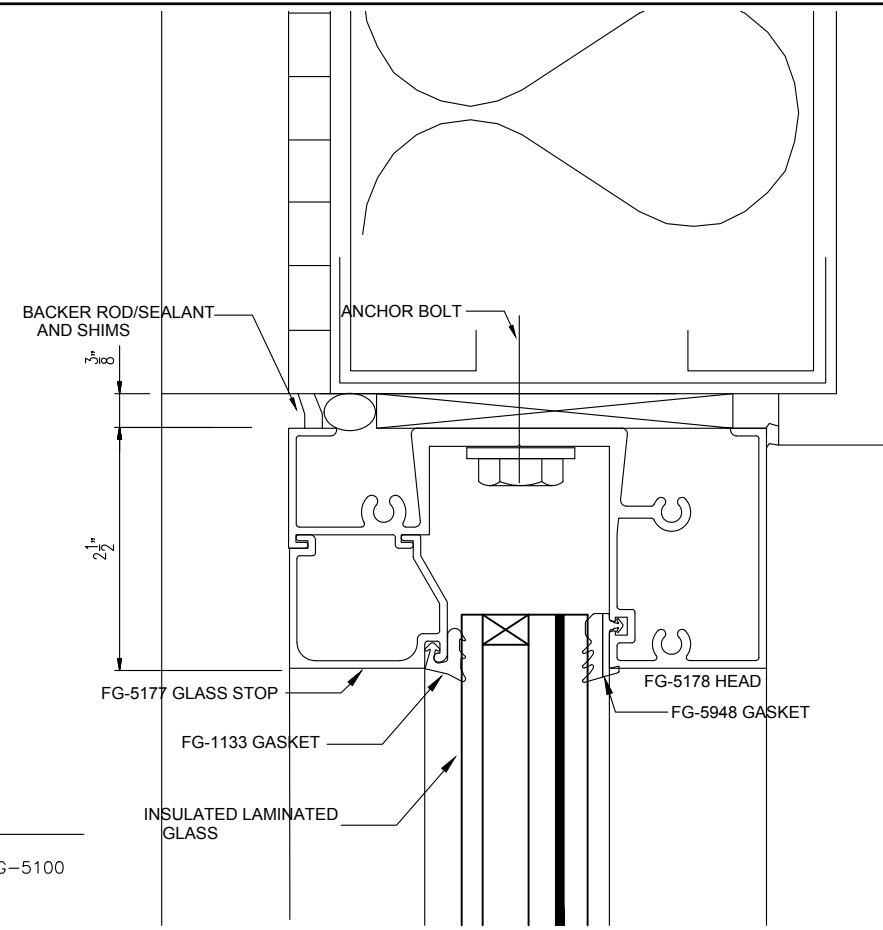
SHEET: E2

DATE	DESCRIPTION
11/09/17	First Submittal
fp	SUB BY
1	

WINDOW MANUFACTURER
 ADDRESS CITY, STATE ZIP
 WORK PHONE WORK FAX

PROJECT TEAM-FERMANITE
NEW FACILITY
 ARCHITECT LUDDEKE ARCHITECTURAL DESIGN GROUP
 (3610 867-7628)
 GENERAL CONTRACTOR NAME OF GENERAL CONTRACTOR
 PHONE #

PROJECT NO.	TF-1710-02
DRAWN BY	fp
DATE	11/09/17
SCALE	6" = 1'-0"
DRAWING	DETAILS
SHEET	D1

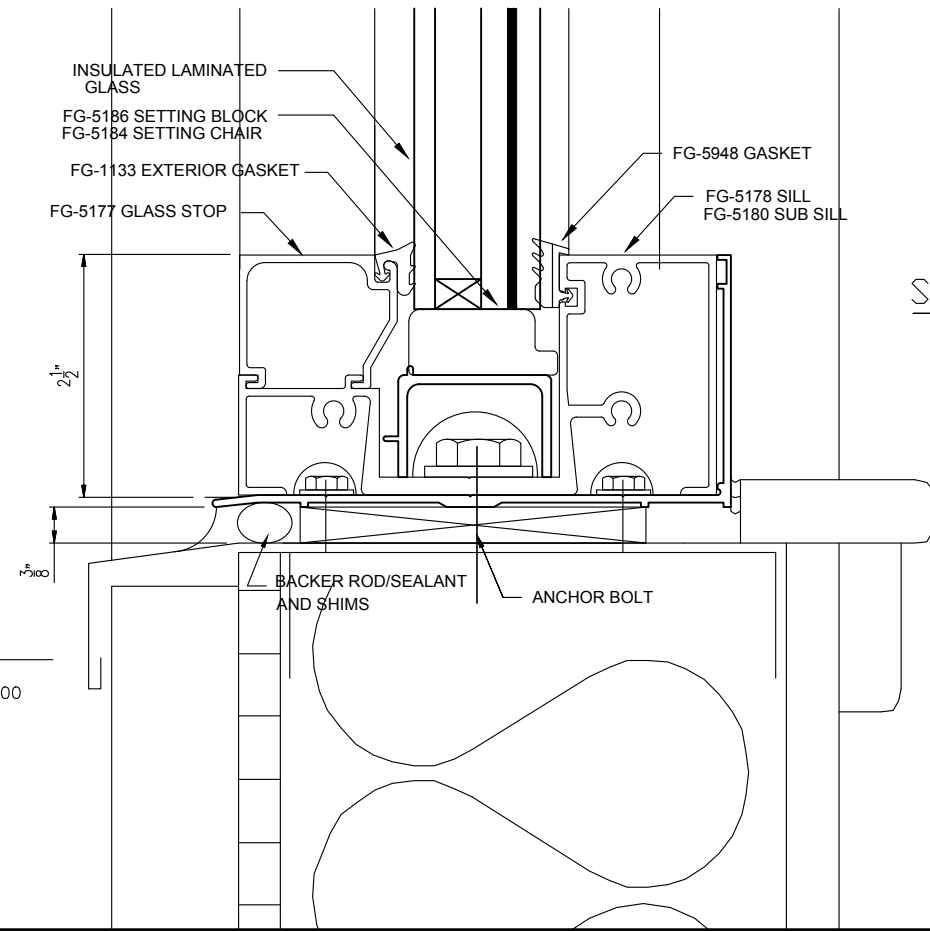


StormMax FG-5100 - Dry Glazed
 Head - H7801

DETAIL
 SCALE: 6" = 1'-0"
 ARCH. REF.: A5.2/4

1

DETAIL TYPE: HEAD
 SYSTEM TYPE:
 OLD CASTLE BUILDING ENVELOPE, FG-5100



StormMax FG-5100 - Dry Glazed
 Sill- H7803

DETAIL
 SCALE: 6" = 1'-0"
 ARCH. REF.: A5.2/4

2

DETAIL TYPE: SILL
 SYSTEM TYPE:
 OLD CASTLE BUILDING ENVELOPE, FG-5100

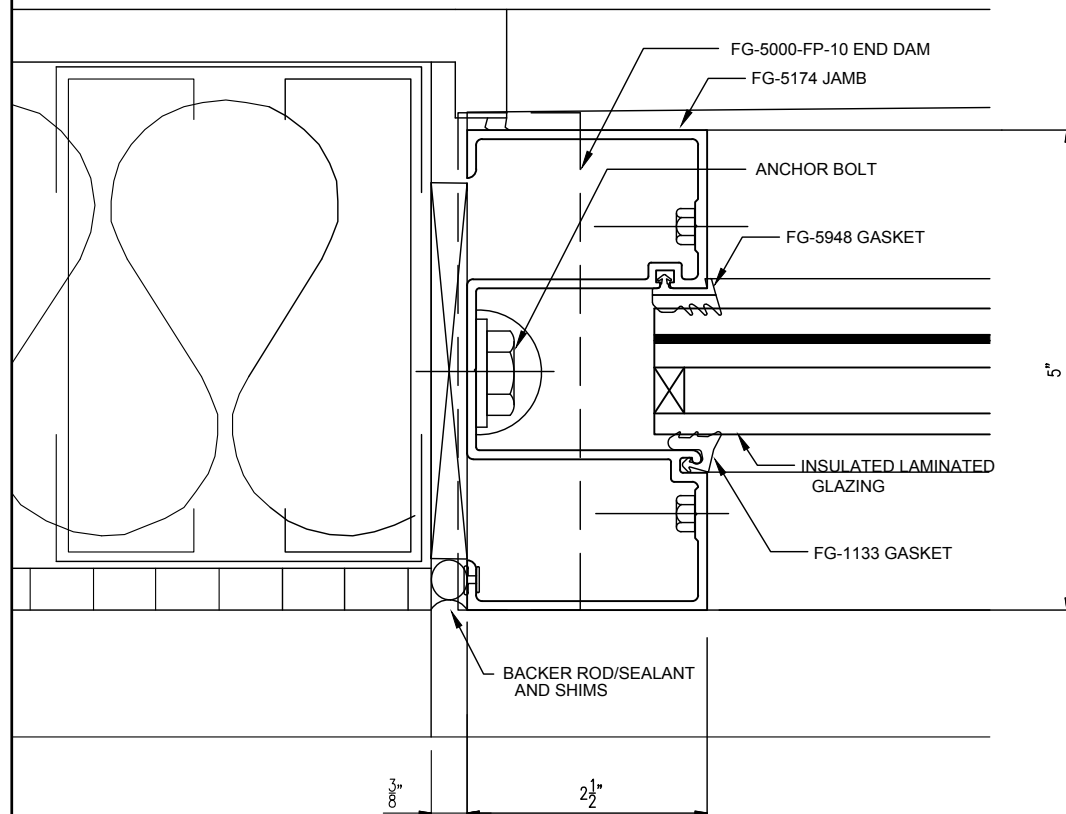
NO.	DATE	DESCRIPTION
1	11/09/17	First Submittal

WINDOW MANUFACTURER
 ADDRESS CITY, STATE ZIP
 WORK PHONE WORK FAX

PROJECT: TEAM-FERMANITE
NEW FACILITY
 ARCHITECT: LUDDEKE ARCHITECTURAL DESIGN GROUP
 (361) 867-7628
 GENERAL CONTRACTOR:
 NAME OF GENERAL CONTRACTOR
 PHONE #

PROJECT NO.	TF-1710-02
DRAWN BY	fp
DATE	11/09/17
SCALE	6" = 1'-0"
DRAWING	DETAILS
SHEET	D2

StormMax™ FG-5100 - Dry Glazed
 Jamb -V7801



DETAIL

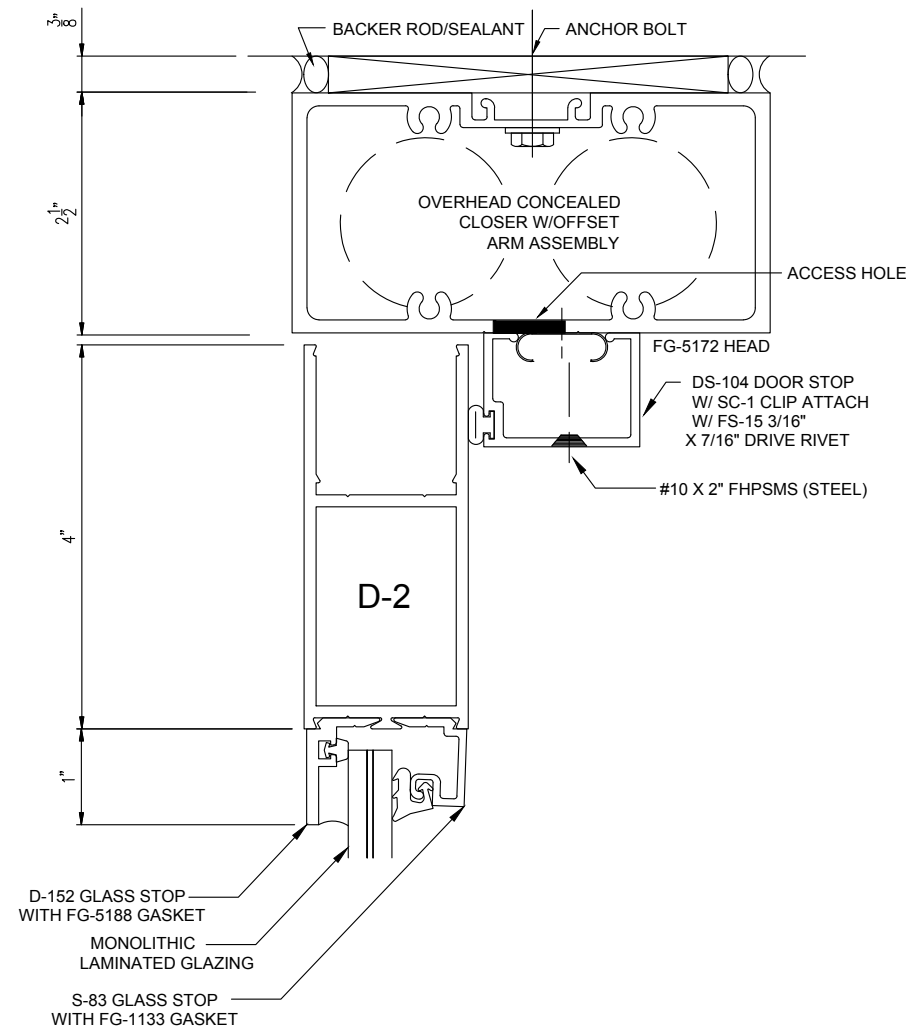
SCALE: 6" = 1'-0"
 ARCH. REF.: A5.2/4



DETAIL TYPE: JAMB

SYSTEM TYPE:
 OLD CASTLE BUILDING ENVELOPE, FG-5100

StormMax™ - Door Head
 Sgl Acting - DHCC - H6333



DETAIL

SCALE: 6" = 1'-0"
 ARCH. REF.: NA



DETAIL TYPE: DOOR HEAD

SYSTEM TYPE:
 OLD CASTLE BUILDING ENVELOPE, FG-5100 & WSD 500